

The PE 3000/3100 Series is General Purpose Three-Phase Three-Line EMI Filter



PE 3000



PE 3100



Description :

- General purpose, three phase three line filters, space-saving design
- Rated current from 5A to 200A
- Excellent interference suppression performance for CM and DM
- High quality components ensure the safety and reliability of filter
- Chassis mounting with various connection: fast on/screw/wire terminal
- Custom design acceptable

Typical Applications :

- General purpose three phase filtering
- Three-phase motor drives
- Inverters and converters
- UPS and SMPS
- Industrial automation equipment

Specification :

Rated Voltage:	250/440VAC
Rated Current:	5A~200A
Operating Frequency:	50/60Hz
Temperature range :	HPF 25/085/21
Test Voltage (1min):	
Line to Ground:	2700VDC
Line to Line:	1450VDC

Electrical Schematic :

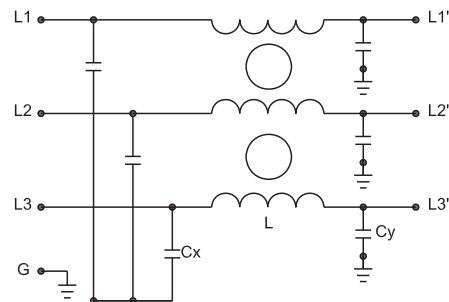


Fig 1

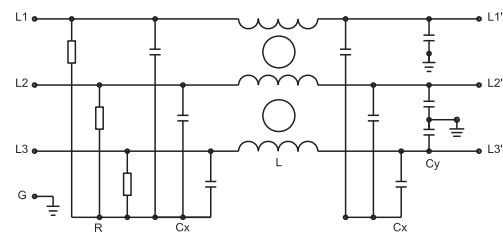

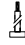



Fig 2

Filter Selection Table :

Filter	Rated Current (A)	Rated Voltage (V)	Leakage Current (mA)	Input/Output Connections			Electrical Schematic	Dimension
								
PE3000-6-01	6	250/440	1.5			01	1	1
PE3000-10-01	10	250/440	1.5			01	1	1
PE3000-6-03	6	250/440	1.5			03	1	2
PE3000-10-03	10	250/440	1.5			03	1	2
PE3100-6-01	6	250/440	1.5			01	2	3
PE3100-10-01	10	250/440	1.5			01	2	3
PE3100-20-06	20	250/440	2.5	06			2	4
PE3100-30-06	30	250/440	2.5	06			2	4
PE3100-40-06	40	250/440	2.5	06			2	5
PE3100-50-06	50	250/440	2.5	06			2	5
PE3100-80-06	80	250/440	2.5	06			2	6
PE3100-100-06	100	250/440	2.5	06			2	6
PE3100-150-06	150	250/440	6.0	06			2	7
PE3100-200-06	200	250/440	6.0	06			2	8

Mechanical Dimension:

(Unit:mm)

All dimensions in mm; 1 inch=25.4mm

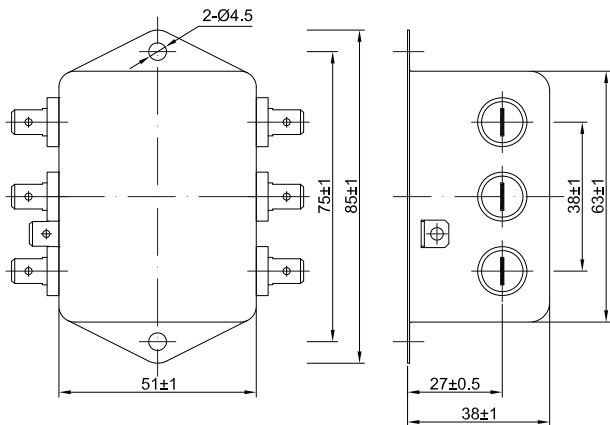


Fig 1

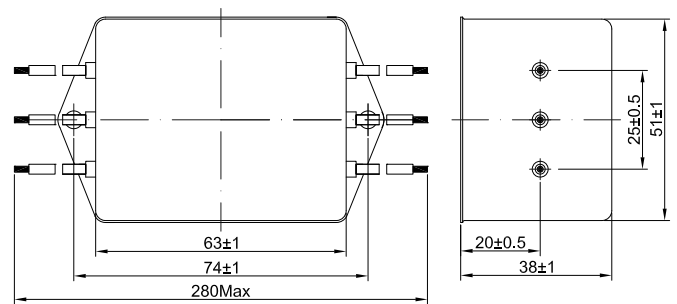


Fig 2

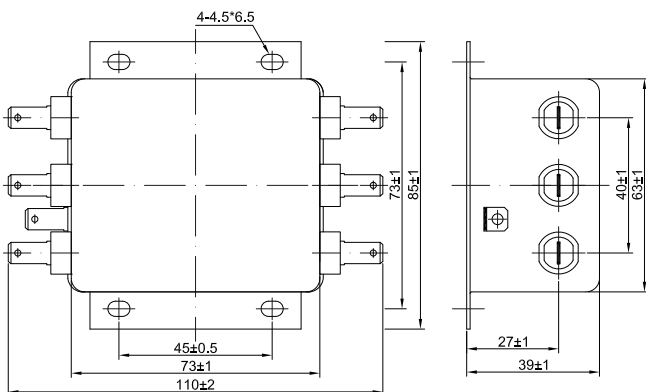


Fig 3

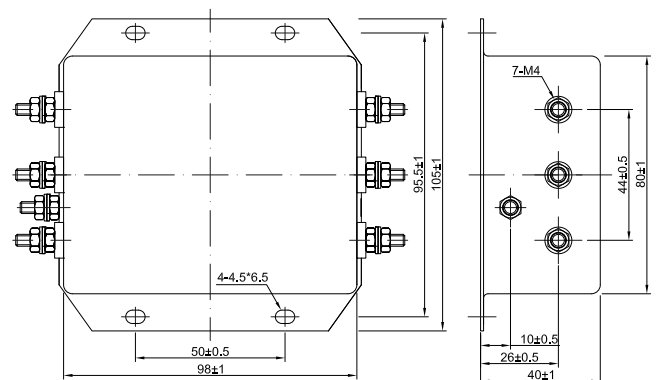


Fig 4

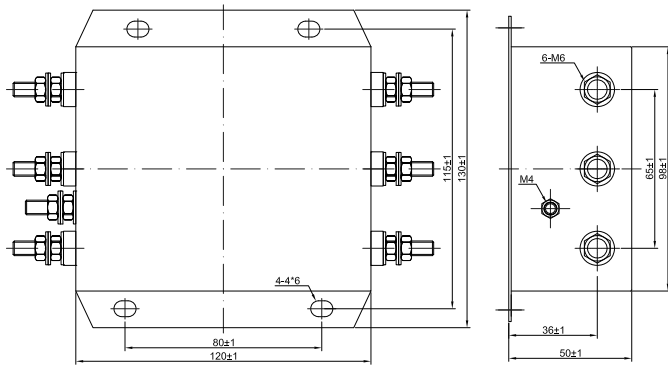


Fig 5

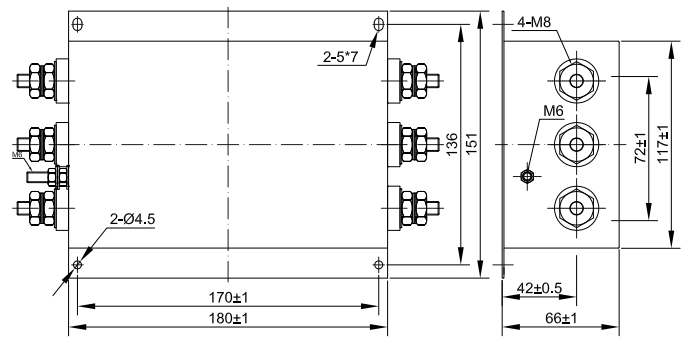


Fig 6

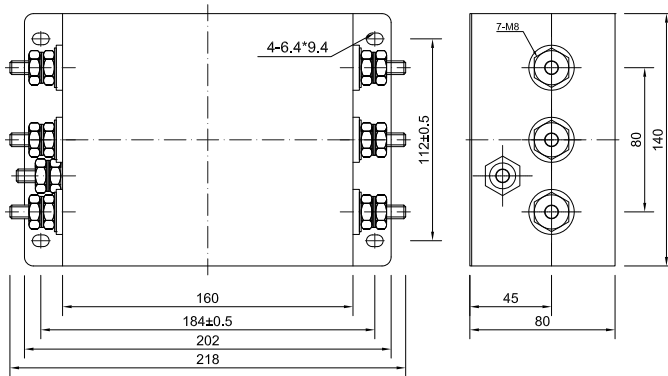


Fig 7

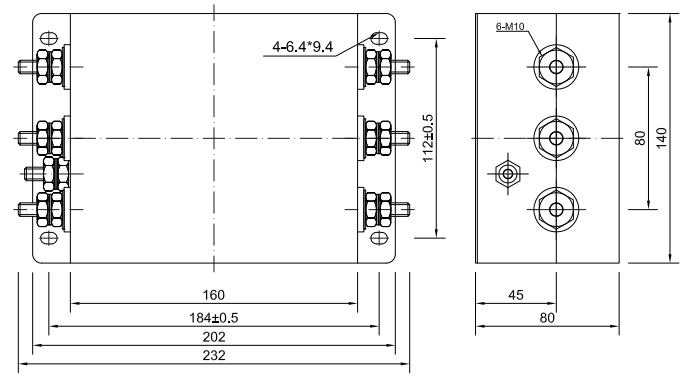
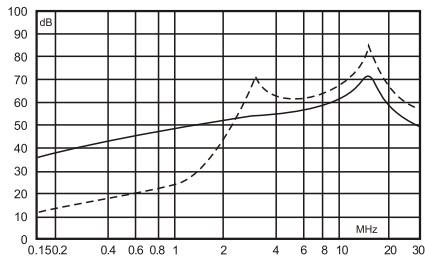


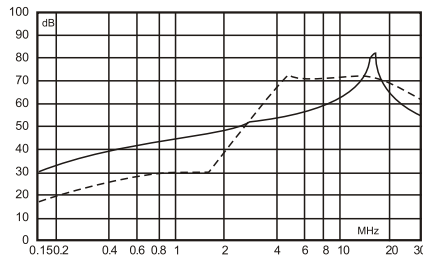
Fig 8

Insertion Loss in dB:

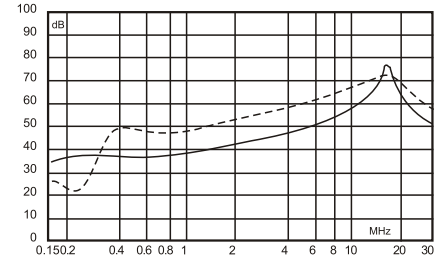
(Measured in 50Ω system , as IEC/CISPR NO.17)



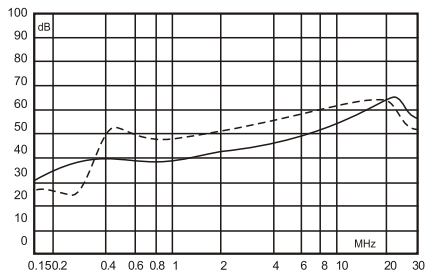
6A



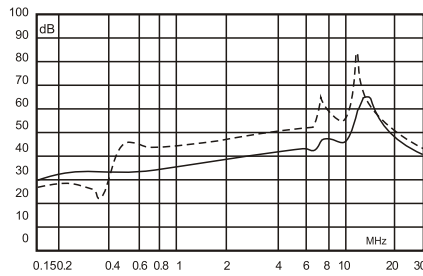
10A



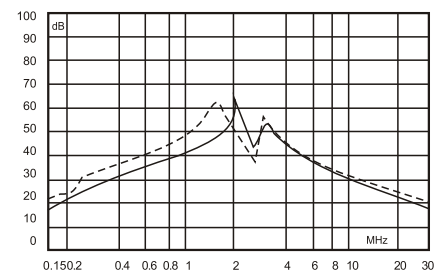
15A/20A/25A



30A



40A/50A



100A/150A/200A

----- Differential Mode
 ——— Common Mode