

The PE 3300 Series is Input Filter For Frequency Inverter



**PE 3300**



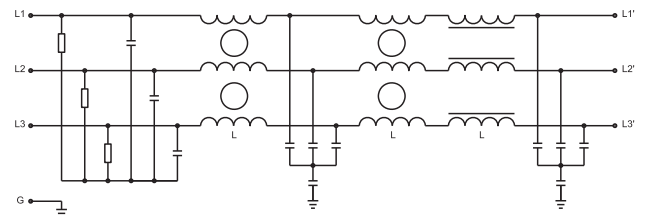
### Description :

- Excellent interference suppression performance for CM and DM
- Wide working current range from 5A to 1200A
- High quality components ensure the safety and reliability of filters
- Various connection: bolt, busbar terminals
- Custom design acceptable

### Typical Applications :

- High Interference Industrial Environment
- Three-phase variable speed motor drives and power drive systems(PDS)
- Inverters and converters
- Applications comprising energy conversion devices
- Process automation equipment
- HVAC equipment, elevators, power supplies, UPS and further three-phase applications

### Electrical Schematic:



**Fig 1**

### Specification :

Rated Voltage:	250/440/480 VAC
Rated Current:	5A~1200 A
Operating Frequency:	50/60 Hz
Temperature range:	25/085/21
Test Voltage ( 1min ):	
Line to Ground:	1450 VAC
Line to Line:	2700 VDC
Leakage Current(Max)	
Line to Ground:	@ 250 VAC 50Hz

### Filter Selection Table :

Filter	Rated current	Rated voltage	Leakage Current	Inverter Power	Input/Output connections	Electrical Schematic	Dimension
	(A)	(V)	(mA)	(KW)			
PE3300-5-06	5	250/440/480	5	0.75/1.5	06	1	1
PE3300-8-06	8	250/440/480	5	2.2/3.7	06	1	1
PE3300-16-06	16	250/440/480	5	5.5/7.5	06	1	2
PE3300-30-06	30	250/440/480	5	11/15	06	1	2
PE3300-45-06	45	250/440/480	5	18.5/22.5	06	1	2
PE3300-75-06	75	250/440/480	10	30/37	06	1	3
PE3300-100-06	100	250/440/480	10	45	06	1	3
PE3300-120-06	120	250/440/480	10	55	06	1	3
PE3300-150-06	150	250/440/480	20	75	06	1	4
PE3300-200-06	200	250/440/480	20	93	06	1	4
PE3300-300-90	300	250/440/480	35	110/132/160	90	1	5
PE3300-400-90	400	250/440/480	35	187/200	90	1	5
PE3300-500-90	500	250/440/480	35	220/250	90	1	6
PE3300-630-90	630	250/440/480	35	280/315	90	1	6
PE3300-800-90	800	250/440/480	65	350/400/450	90	1	7
PE3300-1200-90	1200	250/440/480	65	500/600/630	90	1	7

### Mechanical Dimension:

(Unit:mm)

All dimensions in mm; 1 inch=25.4mm

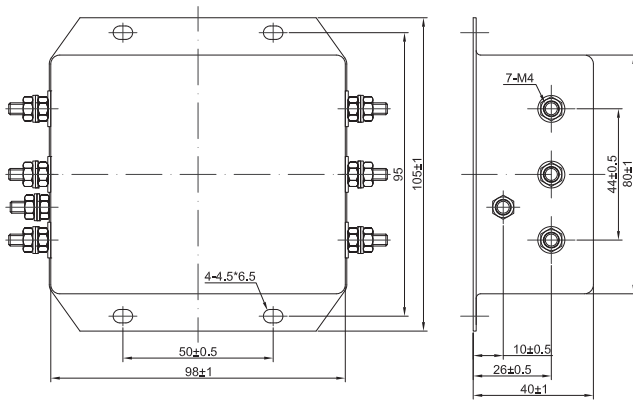


Fig 1

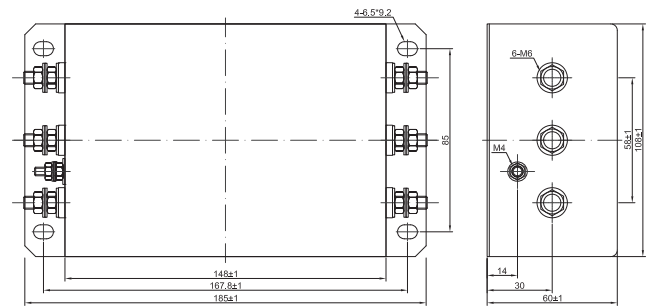


Fig 2

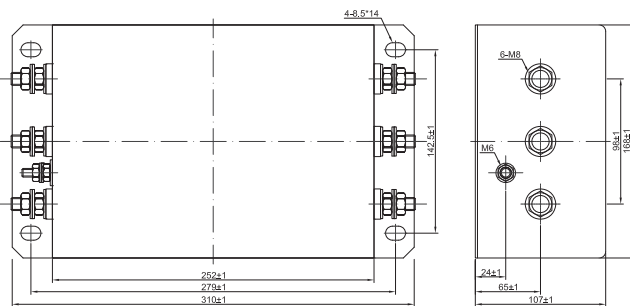


Fig 3

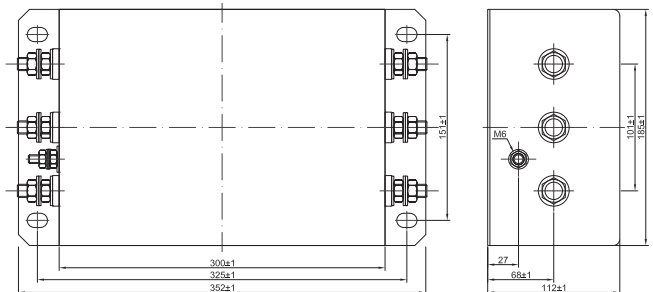
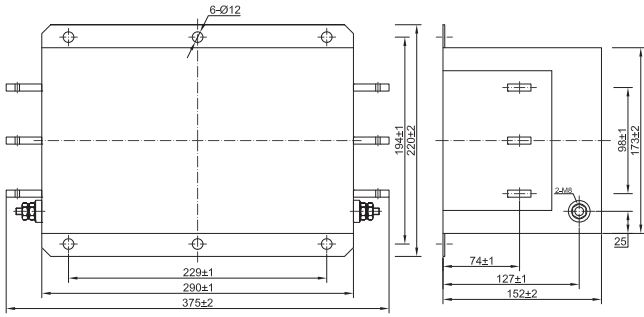
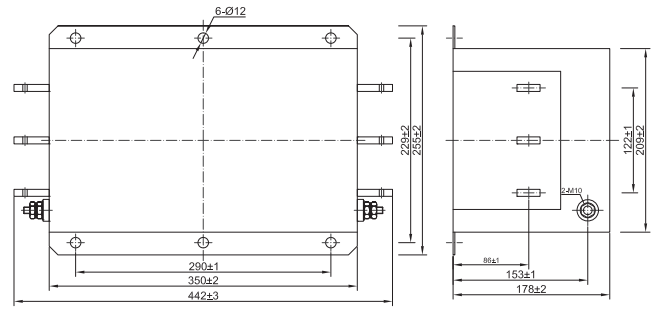


Fig 4



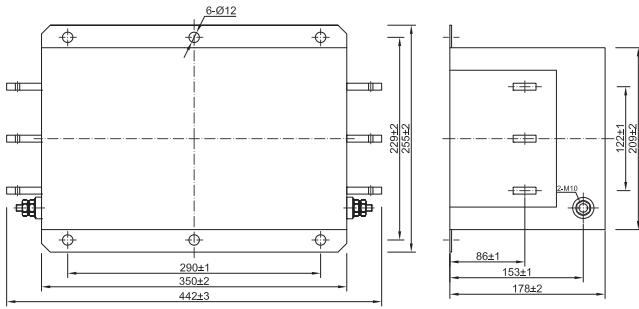
Connection:8\*20=160MM<sup>2</sup>

Fig 5



Connection:8\*30=240MM<sup>2</sup>

Fig 6



Connection:10\*40=400MM<sup>2</sup>

Fig 7

### Installation Diagram:

