

The PE 4000 Series is General Purpose Three Phase and Neutral Line Filters.



PE 4000



Description :

- General purpose, three phase four line filters
- Excellent interference suppression performance for CM and DM
- High quality components, high performance/cost
- Chassis mounting with various connection: fast on/bolt/wire terminals
- Made to order acceptable

Typical Applications :

- General purpose four-wire filtering
- UPS
- High power office equipment
- Installations comprising automation equipment
- Mainframe computer systems and further three-phase + neutral electricity supply.

Electrical Schematic :

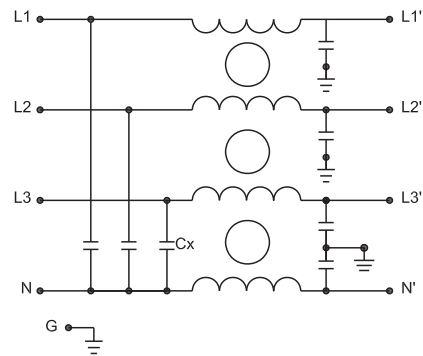




Fig 1

Specification :

Rated Voltage:	250/440VAC
Rated Current:	6A~10A
Operating Frequency:	50/60Hz
Temperature range:	HPF 25/085/21
Test Voltage (1min):	
Line to Ground:	2700 VDC
Line to Line:	1450 VDC
Line to Neutral:	1450 VDC

Filter Selection Table :

Filter	Rated current (A)	Rated voltage (V)	Leakage Current (mA)	Input/Output connections		Electrical Schematic	Dimension
							
PE4000-6-01	6	250/440	1.5	01		1	1
PE4000-10-01	10	250/440	1.5	01		1	1
PE4000-6-03	6	250/440	1.5	03		1	2
PE4000-10-03	10	250/440	1.5	03		1	2

Mechanical Dimension:

(Unit:mm)

All dimensions in mm; 1 inch=25.4mm

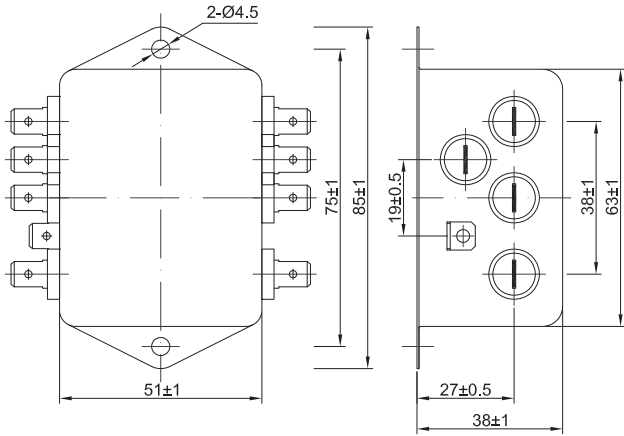


Fig 1

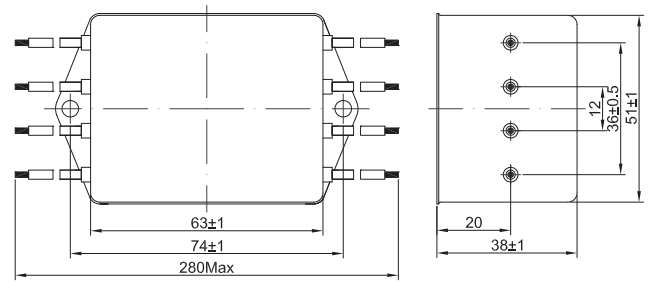
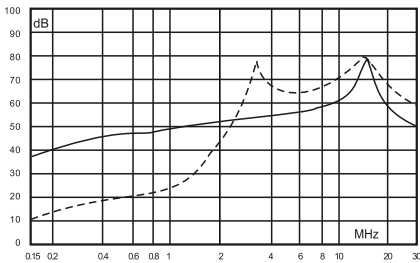


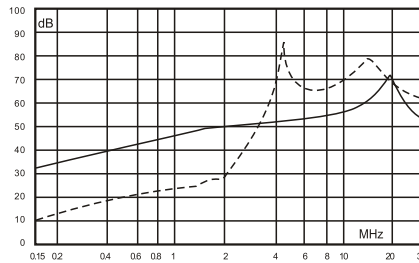
Fig 2

Insertion Loss in dB:

(Measured in 50Ω system , as IEC/CISPR NO.17)



6A



10A

----- Differential Mode
 ——— Common Mode